

Trustworthy Certification

PROSENSE "P" Series fixed gas detectors are certified with ATEX/IECEX.

Ex-proof Safety

The continuous measurement of toxic and explosive gases is done safely in hazardous areas thanks to the ex-proof housing.

Robust and Durable

SS316 stainless steel sensor head performs perfectly under harsh environmental conditions with the IP65 protection class.

Accurate Readings

Pellistor, Electrochemical, and Infrared sensors undoubtedly provide an accurate and sensitive measurement.

Ready to Operate

4-20mA Analog and Modbus RS485 RTU outputs are provided onboard to operate properly without any additional setup.

Easy Maintenance

P Series detectors allow sensor replacement with pre-calibrated sensor head thanks to the Procell technology.

Automatic Calibration

Detector calibration can be done automatically via preset values recorded in detector software once calibration requirements are provided.

Pellistor-Saver Mode

Detectors power off sensor in high gas concentration in order to properly secure the operational lifetime of Pellistor sensor.

Auto Analog Signal Monitoring

P Series detectors carefully check the analog output signal level continuously to match the measurement level before promptly transferred to the panel. P Series adjust the signal level in case of any deviation and generate fault signal when adjustment fails.

Universal Communication Protocols

- 4-20mA Analog and Modbus RS485 RTU outputs are simple to operate efficiently.
- P Series open-source Modbus codes support successful integration to SCADA systems.
- P-3R+ relay module can be properly integrated into P Series detectors for extra operations.



Zero Suppression

Adjusting, the detector will show a certain measurement level as 0 (zero) to avoid unnecessary concerns.

Fall-Safe Technology Alarming

Alarm 1 and Alarm 2 relays are easy to set to default LEL, ppm, VOL levels. The fault relay output properly indicates fault status.

Continuous Self-Test

The detectors check itself continuously to make sure it operates perfectly and indicates a fault in case of any failure.

Maintenance via Software

Prosense provides software to maintain your active system easily and calibrate the gas detectors properly via computer.

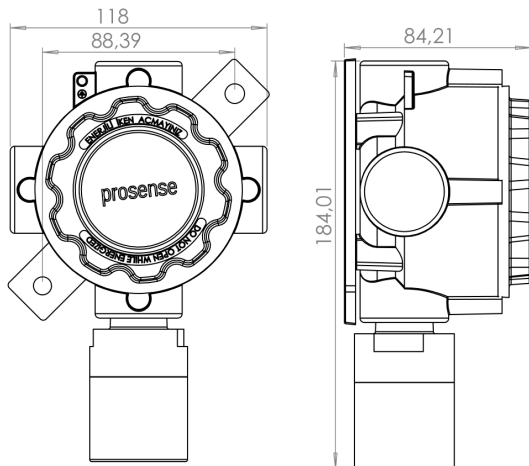
Applications

- Process Industry
- Water Treatment
- Chemical Industry
- Food and Medicine Facilities
- Metal Industry
- Gas Distribution Stations
- Laboratories

Specifications	P-XY35	P-XY34	P-XY33	P-XY31
Sensing Element	Pellistor	Electrochemical	Infrared	Semi-Conductor
Output Signal	4-20mA and Modbus RS485 RTU*			
Sensor Warm-up Time	60sec			
Response Time (T90)	<20sec	<30sec**	<30sec	<15sec
Accuracy	%±1			
Operating Temperature	-40°C ~ +70°C			
Humidity	5 ~ 95%RH			
Input	Min 10VDC - Max 32VDC - Nominal 24VDC			
Power Consumption	Max. 4W			
Optional Relay Outputs	2 Alarm Relays (NO/NC adjustable) 1 Fault Relay (NO)			
Cable Entry	2 x 1/2" NPT			
IP Rating	IP65 / Optional IP66 (Sensor Head)			
Junction Box	Epoxy Painted Die-Cast Aluminum			
Sensor Head	316L Stainless Steel			
Dimensions/Weight	183x118,15x88mm / 1420gr			
ATEX Marking	II 2G Ex db IIC T5/T4 Gb			
Hazardous Class	Zone 1 or Zone 2			
Certificates	• IMQ 19 ATEX 045 X • IECEx IMQ 18.0009X			
Standards	• IEC EN 60079-0 • IEC EN 60079-1 • IEC EN 60079-18			

* To manage MODBUS Address optional Prosense Hand Terminal must be ordered.

** Sensor dependent.



Optional Modules

- **P-3R+:** 2 Alarms and 1 Fault (NO/NC adjustable) relay output card.
- **P-IP66:** 316L Stainless steel sensor head adaptor to increase IP rating.
- **P-GTA:** Ceiling mount collecting
- **UPQ-BTX:** Enclosure with 4 entries.
- **P-ASU:** Sampling Unit
- **PQ-PD05:** Prosense Hand Terminal

For more information please contact with info@prosense.com.tr

XY	Gas	Product Code	Sensor Type	Measuring Range*
30	LPG	P – 3035	Pellistor	0-100%LEL
30	LPG	P – 3033	Infrared	0-100%LEL
31	Methane	P – 3135	Pellistor	0-100%LEL
31	Methane	P – 3133	Infrared	0-100%LEL
32	Petrol Vapours	P – 3235	Pellistor	0-100%LEL
32	Petrol Vapours	P – 3233	Infrared	0-100%LEL
33	n-Butane	P – 3335	Pellistor	0-100%LEL
33	n-Butane	P – 3333	Infrared	0-100%LEL
34	Propane	P – 3435	Pellistor	0-100%LEL
34	Propane	P – 3433	Infrared	0-100%LEL
35	Hexane	P – 3535	Pellistor	0-100%LEL
35	Hexane	P – 3533	Infrared	0-100%LEL
36	Hydrogen	P – 3635	Pellistor	0-100%LEL
37	Pentane	P – 3735	Pellistor	0-100%LEL
37	Pentane	P – 3733	Infrared	0-100%LEL
38	Toluene	P – 3835	Pellistor	0-100%LEL
39	Methyl Alcohol	P – 3935	Pellistor	0-100%LEL
40	Heptane	P – 4035	Pellistor	0-100%LEL
41	Octane	P – 4135	Pellistor	0-100%LEL
42	Ethyl Alcohol	P – 4235	Pellistor	0-100%LEL
43	Iso Propanol	P – 4335	Pellistor	0-100%LEL
44	Carbon monoxide	P – 4434	Electrochemical	0-300ppm
44	Carbon monoxide	P – 4434/B	Electrochemical	0-500ppm
44	Carbon monoxide	P – 4434/C	Electrochemical	0-1000ppm
44	Carbon monoxide	P – 4435	Pellistor	0-100%LEL
45	Acetone	P – 4535	Pellistor	0-100%LEL
46	Methyl Ethyl Ketone	P – 4635	Pellistor	0-100%LEL
47	Ethyl Acetate	P – 4735	Pellistor	0-100%LEL
48	Ammonia	P – 4834	Electrochemical	0-100ppm
48	Ammonia	P – 4834/B	Electrochemical	0-1000ppm
48	Ammonia	P – 4835	Pellistor	0-100%LEL
49	Ethylene	P – 4935	Pellistor	0-100%LEL
50	Acetic Acid	P – 5035	Pellistor	0-100%LEL
51	Butyl Acetate	P – 5135	Pellistor	0-100%LEL
52	Cyclo Hexane	P – 5235	Pellistor	0-100%LEL
53	Cyclo Pentane	P – 5335	Pellistor	0-100%LEL
54	Dioxane	P – 5435	Pellistor	0-100%LEL
55	Ethane	P – 5535	Pellistor	0-100%LEL
56	Butyl Alcohol	P – 5635	Pellistor	0-100%LEL
57	Styrene	P – 5735	Pellistor	0-100%LEL
58	Propylene	P – 5835	Pellistor	0-100%LEL

XY	Gas	Product Code	Sensor Type	Measuring Range*
59	Xylene	P – 5935	Pellistor	0-100%LEL
60	Acetylene	P – 6035	Pellistor	0-100%LEL
61	Benzene	P – 6135	Pellistor	0-100%LEL
62	Ethylene Oxide	P – 6234	Electrochemical	0-20ppm
63	Vinyl Acetate	P – 6335	Pellistor	0-100%LEL
64	Hydrogen Sulfide	P – 6434	Electrochemical	0-100ppm
64	Hydrogen Sulfide	P – 6434/B	Electrochemical	0-500ppm
65	Oxygen	P – 6534	Electrochemical	0-25%VOL
66	Sulphur Dioxide	P – 6634	Electrochemical	0-10ppm
67	Nitric Oxide	P – 6734	Electrochemical	0-250ppm
68	Nitrogen Dioxide	P – 6834	Electrochemical	0-30ppm
69	Chlorine	P – 6934	Electrochemical	0-10ppm
70	Hydrocarbon	P – 7035	Pellistor	0-100%LEL
70	Hydrocarbon	P – 7033	Infrared	0-100%LEL
71	Carbon Dioxide	P – 7133	Infrared	0-5000ppm
71	Carbon Dioxide	P – 7133/B	Infrared	0-5%VOL
72	Freon	P – 7231	Semiconductor	0-2000ppm
73	JP8 Fuel	P – 7335	Pellistor	0-100%LEL
74	Formaldehyde	P – 7434	Electrochemical	0-10ppm
75	Hydrogen Cyanide	P – 7534	Electrochemical	0-25ppm
77	Nonane	P – 7735	Pellistor	0-100%LEL
78	Acetaldehyde	P – 7835	Pellistor	0-100%LEL
79	Hydrogen Chloride	P – 7934	Electrochemical	0-30ppm
82	Ozone	P – 8234	Electrochemical	*
83	Hydrofluoric Acid (HF)	P – 8334	Electrochemical	*
84	Phosphine	P – 8434	Electrochemical	0-10ppm
85	Isobutylene	P – 8535	Pellistor	0-100%LEL
86	Silane	P – 8634	Electrochemical	*
87	Diborane	P – 8734	Electrochemical	*
88	Arsine	P – 8834	Electrochemical	*
89	Germane	P – 8934	Electrochemical	*
90	Air Quality	P – 9031	Semiconductor	0-30ppm
91	A2L Refrigerant Gas	P – 9131	Semiconductor	0-10000ppm
92	Fluorine	P – 9234	Electrochemical	0-5ppm

* Please consult Prosense sales team for specific measuring ranges and other gases those are not listed here.
For more information info@prosense.com.tr

Prosense gas detectors are fully tested and calibrated before delivery. Gas detectors must always be routinely controlled and calibrated regarding EN 60079-29-2.